

Wall Mounted Digital Poster 21 inch

PLUG AND PLAY

All our displays are plug and play and can play content simply via a usb drive loaded with images, sound and video. So this software is used for scheduling purposes.

FREE SOFTWARE

A user friendly and simple to use playlist creator and editor software is supplied free of charge with this product. It allows the user to create professional looking media content within minutes. Included are professional transition options with the software. Although all our screens are plug and play and will automatically play in a loop when inserted with a usb drive loaded with media content such as images.

VIDEO FORMATS

File format such as power point or flash can be converted to a format which is compatible with these displays.

INSTALLATION

Professional installation can be provided which includes a walkthrough of the product and its features.

OPTIONS

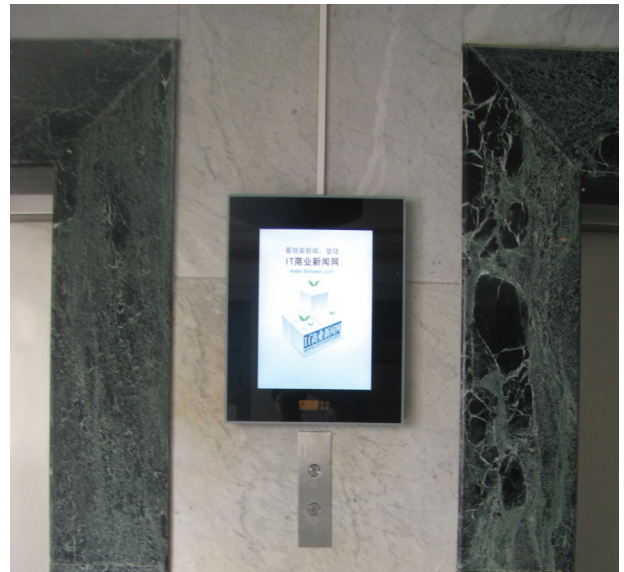
DVI, VGA input option available.



21" LCD Digital Poster - V21A1

This new range of wall mounted digital poster displays are purpose built to operate as a digital poster suitable for applications in retail; public service such as hospitals, financial institutions and places of entertainment such as a gym or cinema. They are supplied with a wall mount for mounting in Portrait mode.

Each display includes an integrated media player that will accept USB memory sticks



APPLICATIONS

Business Institution: Department store, Train store, Supermarket, Exclusive store, Grand Hotel, Restaurant, Travel Agency, Drug Store, etc

Financial institution: Bank, Stock Market, Currency Exchange centre, Insurance Company, Mortgage stores etc

Public Service: Hospital, School, Telecom Hall, Post Office etc

Public place : Subway , Airport , Bookstore, Park , Exhibition Centre , Stadium , Museum , Conference Centre , Tickets Agency , HR Market , Lottery Centre etc.

Real estate: Apartment Villa, Business building, Show Room, Real estate trade centre, etc

Place of Entertainment: Cinema, Gym, Holiday Inn, Club, Message room, Bar, Internet Café, Beauty Parlour.

Features

- Modern appearance
- High quality gloss finish
- Power time settings
- Remote function
- Lock protect
- User friendly

Specification

PLUG AND PLAY

All our displays are plug and play and can play content simply via a usb drive loaded with images, sound and video. So this software is used for scheduling purposes.

FREE SOFTWARE

A user friendly and simple to use playlist creator and editor software is supplied free of charge with this product. It allows the user to create professional looking media content within minutes. Included are professional transition options with the software. Although all our screens are plug and play and will automatically play in a loop when inserted with a usb drive loaded with media content such as images.

VIDEO FORMATS

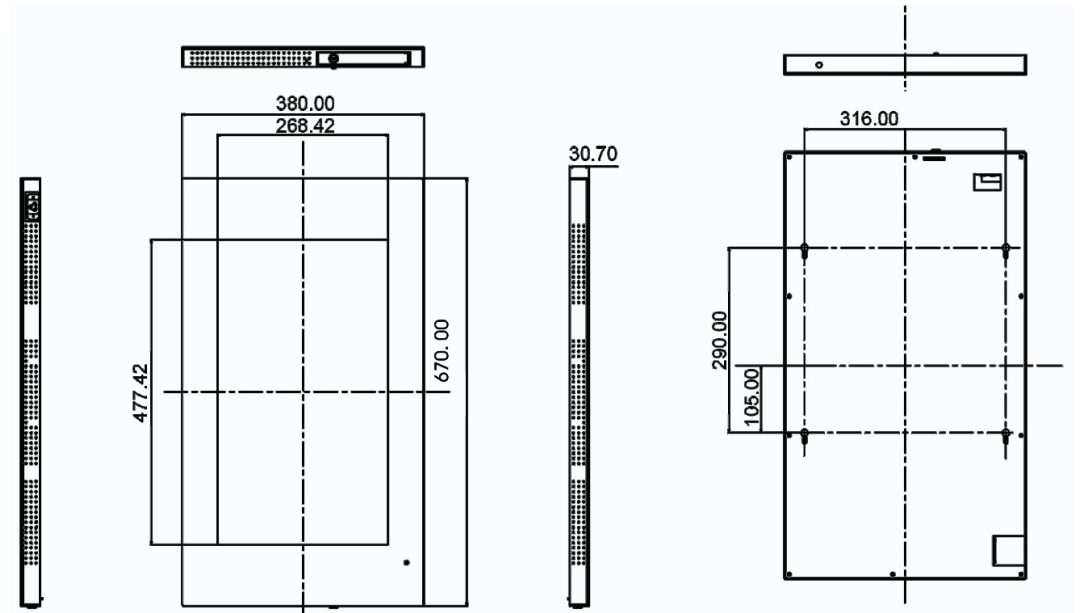
File format such as power point or flash can be converted to a format which is compatible with these displays.

INSTALLATION

Professional installation can be provided which includes a walkthrough of the product and its features.

OPTIONS

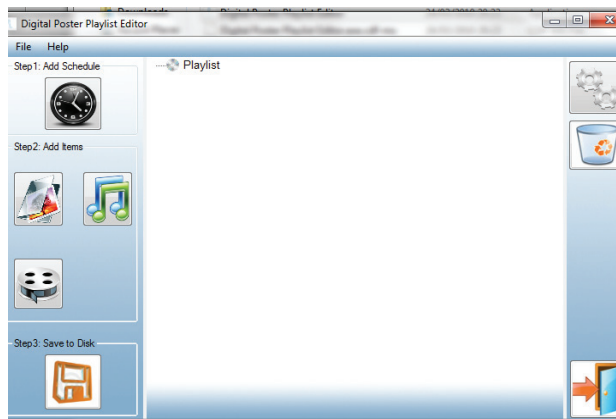
DVI, VGA input option available.



Model	V21A1
Display Screen Size	21.6"
Resolution	1366 x 768
Product Size (mm)	380(W) x 670(H) x 30.7(D)
Display Size (mm)	268.42(W) x 477.42(H)
Brightness	300 cd/m ²
Colors	16.7M
Viewing Angle	178°
Aspect Ratio	16:9
Input Power Voltage	AC110-240V(50Hz-60Hz)
Power Consumption	65W
Working Temperature	0 °C to 50 °C
Supported Media Format	MPEG1, MPEG2, MPEG4, JPEG, MP3,
Sound	2W, 5Ω
Input Port	USB2.0
Wall Mount Size (mm)	360 x 350
Package Size (mm)	765 x 500 x 150
Net weight	10kg
Gross weight	11.5kg
Accessories	Remote control, AC Power Cord, CD, Key, User Manual

Playlist Creator/Editor

Creating playlists with the software Playlist editor supplied provides you with more advanced features namely options such as adding scheduling and more advanced features for Images, Video and audio. The software also allows you to edit any part of a pre- existing playlist.

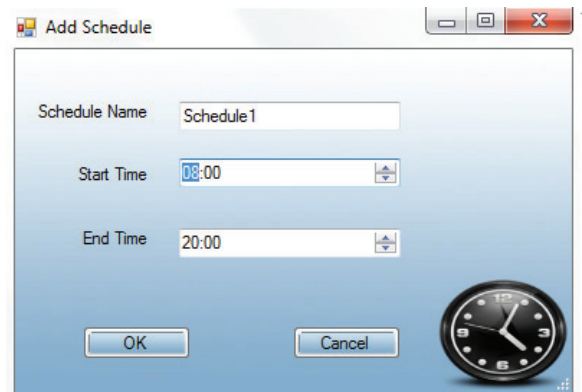


Allows you to load previously created playlists and edit any section within that playlist. The playlist editor is laid out in an easy to use manner, on the left hand side of the application the primary functions are set out in easy to follow steps.

Create New Playlist

Allows you to create a new playlist and Add:

- Scheduling
- Images
- Audio
- Video



PLUG AND PLAY

All our displays are plug and play and can play content simply via a usb drive loaded with images, sound and video. So this software is used for scheduling purposes.

FREE SOFTWARE

A user friendly and simple to use playlist creator and editor software is supplied free of charge with this product. It allows the user to create professional looking media content within minutes. Included are professional transition options with the software. Although all our screens are plug and play and will automatically play in a loop when inserted with a usb drive loaded with media content such as images.

VIDEO FORMATS

File format such as power point or flash can be converted to a format which is compatible with these displays.

INSTALLATION

Professional installation can be provided which includes a walkthrough of the product and its features.

OPTIONS

DVI, VGA input option available.

